



九齊科技股份有限公司
Nyquest Technology Co., Ltd.

DATA SHEET

NY3C Series

3 I/O Single-Chip Speech Synthesizer

Version 2.1

Feb. 26, 2019

NYQUEST TECHNOLOGY CO. reserves the right to change this document without prior notice. Information provided by NYQUEST is believed to be accurate and reliable. However, NYQUEST makes no warranty for any errors which may appear in this document. Contact NYQUEST to obtain the latest version of device specifications before placing your orders. No responsibility is assumed by NYQUEST for any infringement of patent or other rights of third parties which may result from its use. In addition, NYQUEST products are not authorized for use as critical components in life support devices/systems or aviation devices/systems, where a malfunction or failure of the product may reasonably be expected to result in significant injury to the user, without the express written approval of NYQUEST.

Revision History

Version	Date	Description	Modified Page
1.0	2012/11/28	Formal release.	-
1.1	2013/06/24	2.6 : Modify 28 kinds of play-speed value, and new play speed must be cooperated with <i>NY3(B)_FDB Ver.B</i> . 2.12: Add Anti-Noise Debounce function. 7. : Add "LVR/POP enable" standby current. Modify maximum and minimum Fosc value. Modify "Voltage vs Freq. Deviation" OSC curve.	3, 5 4, 6 9 9 9
1.9	2014/11/24	1. Change IC body: NY3C021C, NY3C035C and NY3C054C.	3, 5
2.0	2016/08/13	1. Change NY3C007B ROM size.	3, 5
2.1	2019/02/26	1. Release NY3Cxxx version IC. 2. Modify Operating Current. 3. Update Voltage vs Frequency Deviation chart.	3, 5 9 9

1. 概述

NY3C系列產品為單晶片 CMOS 語音合成 IC，共有11個母體分別為 NY3C003C、NY3C005C、NY3C007C、NY3C010C、NY3C016C、NY3C021C、NY3C027C、NY3C035C、NY3C043C、NY3C054C 和 NY3C065C。具有3個I/O腳，利用精準的內阻震盪故不需外加震盪電阻，只有一組PWM輸出，故無須再外加任何零件。語音合成方式為 4-bit/5-bit Mixed Advanced DPCM，搭配 9-bit PWM 硬體輸出，可以提供很好的音質。藉由製造過程中更換Code光罩，可將不同的語音資料寫入ROM中。用戶可使用簡便的 Q-Speech 和 Quick-IO 工具軟體來快速地進行開發。

2. 功能

(1). 寬廣的工作電壓：1.6V ~ 5.5V。

(2). 共有11個母體，ROM大小及秒數(@6kHz)如下：

NY3C003	NY3C005	NY3C007	NY3C010	NY3C016	NY3C021	NY3C027	NY3C035	NY3C043	NY3C054	NY3C065
5C00H (23552)	7C00H (31744)	BC00H (48128)	FC00H (64512)	17C00H (97280)	1FC00H (130048)	27C00H (162816)	37C00H (228352)	3FC00H (261120)	4FC00H (326656)	5FC00H (392192)
3.93s	5.29s	8.02s	10.75s	16.21s	21.67s	27.14s	38.06	43.52	54.44	65.37

(3). 有3個I/O腳: OKY/O3、IO1和 IO2 可分別選擇作輸入腳或是輸出腳 (光罩選擇)。

(4). 語音最多可被分割成最多224個語音段(Voice Section)，每段長度可不同。每一個語音段的最大長度和最小長度都沒有限制。

(5). 最多有896個語音格(Voice Step)，可規劃成32個語音組(Voice Sentence)，OKY/O3、IO1、IO2和POP能分別指定 29、1、1、1 個語音組(Sentence)。每一語音格(Step)可指定任一個語音段(Section)和 IO1、IO2、OKY/O3 的輸出搭配(當IOx設為輸出時)。

(6). 只有內建一組準確的頻率振盪器(+/- 1.5% 誤差)，並無提供外部震盪電阻選項。共有28種不同播放速度可供選擇，每一個語音格(Voice Step)可選擇不同的播放速度來使用。**(新的播放速度必須搭配 NY3(B)_FDB Ver.B)**

1	2	3	4	5	6	7	8	9	10
24.0kHz	20.0kHz	17.1kHz	15.0kHz	13.3kHz	12.0kHz	10.9kHz	10.0kHz	9.2kHz	8.6kHz
11	12	13	14	15	16	17	18	19	20
8.0kHz	7.5kHz	7.1kHz	6.7kHz	6.3kHz	6.0kHz	5.7kHz	5.5kHz	5.2kHz	5.0kHz
21	22	23	24	25	26	27	28		
4.8kHz	4.6kHz	4.4kHz	4.3kHz	4.1kHz	4.0kHz	3.9kHz	3.8kHz		

(7). 輸入腳的輸入選項：(光罩選擇)

(a). 任一輸入腳可分別選擇 Edge/Level, Hold/Unhold, Retrigger/Irretrigger 不同的觸發方式組合。

(b). 任一輸入腳可分別選擇 CDS+1.5M、CDS、1.5M 的下拉電阻 或 Floating。(CDS+1.5M選項: 當按鍵按下時，IC內部為 1.5M 的下拉電阻；而當按鍵放開時，IC內部為 300K+1.5M 並聯 的下拉電阻 約250K。CDS: 當按鍵按下時，IC內部為 Floating；而當按鍵放開時，IC內部為 300K 的下拉電阻。)

(c). 任一輸入腳可分別選擇Debounce時間：Long - 提供一般按鍵使用；Short - 提供彈跳開關使用。

(d). OKY/O3輸入腳最多有29個Sentence的One-Key sequential 或 random 的選擇，在 One-Key sequential 時並可選擇Sentence的播放順序在其他按鍵被觸發後是否要Reset。

(e). 只有一個輸入腳可選擇是否有 Toggle On/Off 的功能 (1st 觸發 → 播放，2nd 觸發 → 停止，.....)。

※ 注意: 按鍵輸入的優先順序為 OKY/O3 > IO1 > IO2 。

- (8). 所有的輸出腳都有以下 4 種輸出電流選項：(光罩選擇)
- (a). Normal Sink Current Output (一般灌電流輸出)：輸出腳接LED到VDD。 $(I_{ol}=20mA/30mA @V_{DD}=3V/4.5V)$
 - (b). Large Sink Current Output (大灌電流輸出)：輸出腳接LED到VDD。 $(I_{ol}=58mA/75mA @V_{DD}=3V/4.5V)$
 - (c). Constant Sink Current Output (定灌電流輸出)：輸出腳接LED到VDD，VDD=3V和4.5V的輸出電流為恆定電流，不會因為VDD不同而影響到LED亮度。 $(I_{ol}=20mA/22mA @V_{DD}=3V/4.5V)$
 - (d). Drive Current Output (拉電流輸出)：輸出腳接LED到GND。 $(I_{oh}=7mA/10mA @V_{DD}=3V/4.5V)$
- (9). 所有的輸出腳都有以下 9 種輸出訊號選項：(光罩選擇)
- (a). Stop_Low pulse：停止播放時送出低位準脈衝。
 - (b). Stop_High pulse：停止播放時送出高位準脈衝。
 - (c). Busy_High active：播放時送出高位準訊號。(Drive輸出)
 - (d). Busy_Low active：播放時送出低位準訊號。(Sink輸出)
 - (e). LED 1.5Hz flash：播放時 LED 1.5Hz Sink輸出閃爍。
 - (f). LED 3Hz flash：播放時 LED 3Hz Sink輸出閃爍。
 - (g). LED 6Hz flash：播放時 LED 6Hz Sink輸出閃爍。
 - (h). LED dynamic 1/2：播放時 LED根據1/2聲音位準做Sink輸出動態閃爍。
 - (i). QIO訊號：可隨聲音作任意的輸出變化，每一個語音格(Step)可選擇一組QIO訊號，用戶使用此功能需先開啟Quick-IO編輯器來做QIO訊號編輯。(OKY/O3並沒有提供QIO選項。)
- ※ 注意: LED 1.5Hz / 3Hz / 6Hz flash 是指以 6kHz 的播放速度 時LED閃爍的頻率；不同的播放速度，LED閃爍的頻率也會不同。*
- (10). 特殊功能選項 "上電播放" (Power-On-Play, POP)：電池一上電立即播放一次"上電播放語音組"(POP Sentence)，觸發模式固定為 Edge / Unhold / Retrigger。如果POP結合 Power-On-Loop (POL) 功能，則上電會循環播放"上電播放語音組"(POP Sentence)。如果POP結合 Power-On-Loop Interrupt (POP Interrupt) 功能，則上電播放時有其他按鍵被觸發，上電播放會立即停止並播放該按鍵所指定的語音組。
- (11). 特殊功能選項 "內部觸發" (Internal-Feedback)：此功能有兩組。當OKY/O3 (IO1) 的聲音播放中被重覆觸發或聲音播放結束時，利用內部的Stop_High-Pulse信號來自動觸發 OKY/O3 或 IO1 所指定的語音組(Internal-Feedback Path)，播放該語音組一次。
- ※ 注意: 當啟動此功能時，OKY/O3 或 IO2 只能當做輸入腳。*
- (12). 特殊功能選項 "防干擾Debounce" (Anti-Noise Debounce)：設定輸入腳的訊號觸發需要先偵測到一段低電平(Low)的Debounce時間，才會進行正常的高電平(High)觸發的Debounce偵測。此功能可以用來避免外部的馬達雜訊干擾，並不會因為按鍵過程中的觸發訊號被雜訊拉低，導致IC重複觸發。(光罩選擇)
- ※ 注意: 當啟動此功能時，所有輸入口都會被設定為 Anti-Noise Debounce 功能。*
- (13). 序列觸發功能(Serial-Trigger): 在 Edge/Unhold/Retrigger 觸發模式下，使用OKY/O3的 One-Key Sequential 和 Reset 功能，並設定觸發Debounce時間為Short Debounce，這樣就可以利用外部序列訊號輸入來控制OKY/O3 的特定Sentence播放，通常搭配外部MCU來控制。
- (14). 一組9-bit PWM輸出，有兩種PWM音量可供選擇(正常音量&大音量)，可直接驅動8Ω~64Ω的喇叭或蜂鳴片。
- (15). 支援低壓復位(LVR=1.5V)功能。(光罩選擇)

1. GENERAL DESCRIPTION

The NY3C series are single-chip voice synthesizing CMOS IC. There are 11 bodies: NY3C003C, NY3C005C, NY3C007C, NY3C010C, NY3C016C, NY3C021C, NY3C027C, NY3C035C, NY3C043C, NY3C054C and NY3C065C. Each body has three I/O pins. Through accurate internal oscillation, external Rosc is unnecessary. There is only one PWM output for voice. Thus any external component is not required. Using 4-bit/5-bit Mixed Advanced DPCM algorithm with 9-bit PWM hardware output, customer's speech data can be programmed into ROM by changing one code mask during fabrication. Besides, two interactive software developing tools of "Q-Speech" & "Quick-IO" are user-friendly and quick for programming.

2. FEATURES

(1). Wide operating voltage: 1.6V ~ 5.5V.

(2). There are 11 bodies. ROM size and speech duration @ 6kHz are as following.

NY3C003	NY3C005	NY3C007	NY3C010	NY3C016	NY3C021	NY3C027	NY3C035	NY3C043	NY3C054	NY3C065
5C00H (23552)	7C00H (31744)	BC00H (48128)	FC00H (64512)	17C00H (97280)	1FC00H (130048)	27C00H (162816)	37C00H (228352)	3FC00H (261120)	4FC00H (326656)	5FC00H (392192)
3.93s	5.29s	8.02s	10.75s	16.21s	21.67s	27.14s	38.06	43.52	54.44	65.37

(3). Three I/O pins: OKY/O3, IO1 and IO2 can be either input or output pin (Mask option).

(4). The total voice duration can be partitioned up to maximum 224 *Voice Sections*. Each *Voice Section* length is flexible. Each maximum or minimum *Voice Section* length is unlimited.

(5). Total maximum 896 *Voice Steps* are available for 32 *Voice Sentences*. OKY/O3, IO1, IO2 and POP can assign 29, 1, 1, 1 and 1 *Sentences* independently. Each *Step* can specify one *Voice Section* and enable/disable IO1, IO2, OKY/O3 output option if IOx is set as output.

(6). Only build in an accurate internal oscillator of +/- 1.5% tolerance, no external R oscillator. There are normally 28 kinds of options for play speed, and each *Step* can select any one of them independently. **(New play speed must be cooperated with NY3(B)_FDB Ver.B or later version.)**

1	2	3	4	5	6	7	8	9	10
24.0kHz	20.0kHz	17.1kHz	15.0kHz	13.3kHz	12.0kHz	10.9kHz	10.0kHz	9.2kHz	8.6kHz
11	12	13	14	15	16	17	18	19	20
8.0kHz	7.5kHz	7.1kHz	6.7kHz	6.3kHz	6.0kHz	5.7kHz	5.5kHz	5.2kHz	5.0kHz
21	22	23	24	25	26	27	28		
4.8kHz	4.6kHz	4.4kHz	4.3kHz	4.1kHz	4.0kHz	3.9kHz	3.8kHz		

(7). Input option for input pin: (Mask option)

(a). Each input can select Edge/Level, Hold/Unhold and Retrigger/Irretrigger trigger modes.

(b). Each input can select CDS+1.5M · CDS · 1.5M pull-low resistor or Floating type.

(CDS+1.5M option: Only 1.5M pull-low resistance at key-pressed, and 300K+1.5M in parallel pull-low resistance around 250K at key-released. CDS option: Floating at key-pressed, and 300K pull-low resistance at key-released.)

(c). Each input can select Debounce time: Long debounce for push-button. Short debounce for fast switch.

(d). OKY/O3 input can select One-Key Sequential or Random for maximum 29 *Sentences* independently. At One-Key Sequential, the Reset function of playing *Sentence* sequence can be selected or not when other keys are triggered.

(e). Only one input pin can select Toggle On/Off function (1st Trigger → play, 2nd trigger → stop,).

※ Note: Input priority is OKY/O3 > IO1 > IO2.

(8). There are 4 kinds of output current option for all output pins. (Mask option)

(a). Normal Sink Current output: Output is connected a LED with VDD. ($I_{ol}=20\text{mA}/30\text{mA}$ @VDD=3V/4.5V)

(b). Large Sink Current output: Output is connected a LED with VDD. ($I_{ol}=58\text{mA}/75\text{mA}$ @VDD=3V/4.5V)

(c). Constant Sink Current output: Output is connected a LED with VDD. Whenever VDD is 3V or 4.5V, the output current is constant and LED brightness is uniform. ($I_{ol}=20\text{mA}/22\text{mA}$ @VDD=3V/4.5V)

(d). Drive Current output: Output is connected a LED with GND. ($I_{oh}=7\text{mA}/10\text{mA}$ @VDD=3V/4.5V)

(9). There are 9 kinds of output option for all output pins:

(a). Stop_Low pulse: Low active stop-pulse output whenever device stop playing.

(b). Stop_High pulse: high active stop-pulse output whenever device stop playing.

(c). Busy_High active: high active signal output during playing. (Drive output)

(d). Busy_Low active: low active signal output during playing. (Sink output)

(e). LED 1.5Hz flash: 1.5Hz sink signal output to drive LED during playing.

(f). LED 3Hz flash: 3Hz sink signal output to drive LED during playing.

(g). LED 6Hz flash: 6Hz sink signal output for driving LED during playing.

(h). LED dynamic 1/2: according to 1/2 sound level, dynamic sink signal output to drive LED during playing.

(i). QIO signal: arbitrary output with voice. Each *Voice Step* can select one set of QIO signal and user can edit the QIO signal by “Quick-IO” editor. **But for OKY/O3, there is no QIO signal to select.**

※ Note: Where (e) ~ (g) is the LED flash rate at 6kHz sample rate. For different play speed, the LED flash rate is different from original 1.5Hz, 3Hz or 6Hz.

(10). “Power-On-Play” special function (POP): When power is on, play the POP *Sentence* one time. The trigger mode is fixed as Edge / Unhold / Retrigger. To cooperate with Power-On-Loop function, the POP *Sentence* will be played in loop until other key-trigger happened. When other key is triggered, it stops playing the POP *Sentence* and immediately plays the assigned sentence of triggered key.

(11). “Internal-Feedback” special function: There are 2 sets of this function. When the playing sentence of OKY/O3 (IO1) is stopped or over, continue to play the assigned sentence of OKY/O3 or IO1 through internal Stop_High-Pulse signal (Internal-Feedback Path).

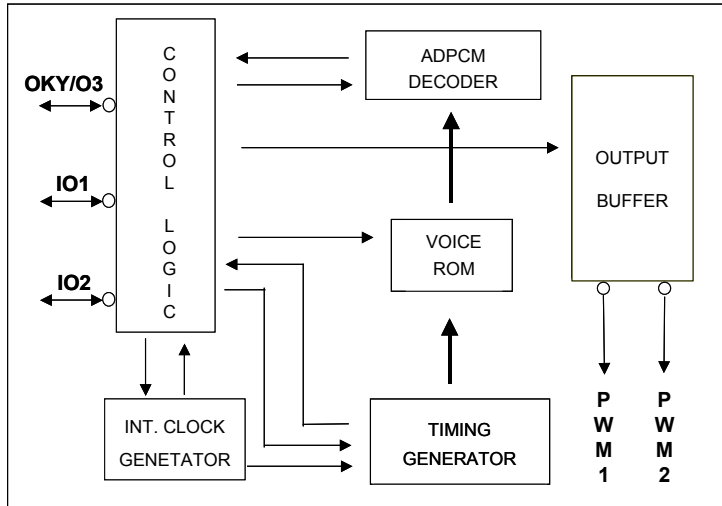
※ Note: When enable this function, OKY/O3 or IO2 is fixed as input pin.

(12). “Anti-Noise Debounce” special function: For a right trigger detection, the trigger signal needs a low-level Debounce time in advance of normal Debounce detection for high-level signal. It is used to prevent noise interference such like motor noise. With this function, the trigger signal won’t result in double-trigger which usually occur when noise pull the high signal to low. (Mask option)

※ Note: When enable this function, all inputs are optioned as Anti-Noise Debounce function.

- (13). Serial-Trigger function: In Edge/Unhold/Retrigger mode, by using the One-Key Sequential and Reset functions of OKY/O3 and setting the Debounce time to be short, IC can access external serial clock signal to playback the specific Sentence of OKY/O3. Usually it cooperates with an external MCU.
- (14). One 9-bit PWM output. There are 2 kinds of PWM output, normal and large. It can directly drive 8, 16, 32, 64Ω speaker or piezo-buzzer.
- (15). Low Voltage Reset (LVR=1.5V) is supported. (Mask option)

3. BLOCK DIAGRAM



4. PAD DESCRIPTION

Pad Name	Pad No.	ATTR.	Description
OKY/O3	1	I	Input or output pin. To be input, active high.
IO1	2	I/O	Input or output pin. To be input, active high.
IO2	3	I/O	Input or output pin. To be input, active high.
GND	4	Power	Negative power.
VDD	5	Power	Positive power.
PWM1	6	O	PWM output 1.
PWM2	7	O	PWM output 2.

5. DEVELOPMENT & DEMONSTRATION

User can use “Q-Speech” & “Quick-IO” software tools to develop the desired functions. After finishing the code programming, user will get 2 files of “.bin” and “.htm”, the binary file and function check list. Through “FDB_Writer” operation, user can download the “.bin” file into NY3(B)_FDB flash demo board to demonstrate the NY3C function. Once the function has been approved, user only need to send the “.bin” file to Nyquest for code release. For more details, please refer to “Q-Speech” & “Quick-IO” user manual.

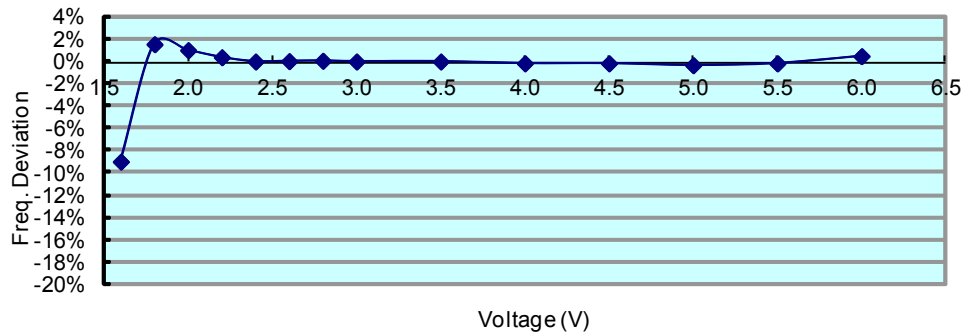
2Mb Flash Demo board	NY3(B)_FDB-02	NY3(B)_FDB-04
Max. demo body	NY3C043B	NY3C065B

6. ABSOLUTE MAXIMUM RATING

Symbol	Rating	Unit
VDD~GND	-0.5 ~ +7.0	V
V _{in}	GND-0.3 < V _{in} < VDD+0.3	V
V _{out}	GND < V _{out} < VDD	V
T _{op} (operating)	-0 ~ +70	°C
T _{st} (storage)	-55 ~ +150	°C

7. DC CHARACTERISTICS

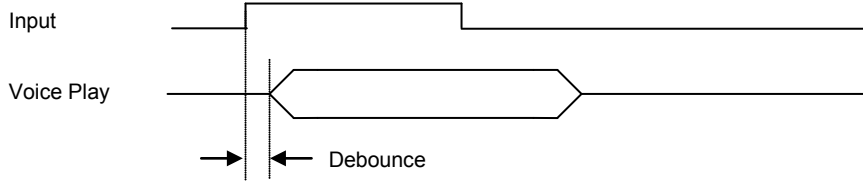
Symbol	Parameter	VDD	Min.	Typ.	Max.	Unit	Condition
VDD	Operating voltage	--	1.6	3.0	5.5	V	1.54MHz
I _{SB}	Standby current	3.0		0.1	0.5	uA	LVR and POP disabled
		4.5		0.1	0.5		
		3.0		0.5		uA	LVR or POP enabled
		4.5		1.2			
I _{OP}	Operating current	3.0		0.73		mA	No load.
		4.5		2.26			
I _{IH}	Input current (1.5M ohms pull-low)	3.0		2		uA	V _{IL} =VDD
		4.5		5			
	Input current (300K ohms pull-low)	3.0		30		uA	
		4.5		85			
I _{OH}	Output drive current	3.0		-7		mA	V _{OH} =2.0V
		4.5		-10			V _{OH} =3.5V
I _{OL}	Output normal sink current	3.0		20		mA	V _{OL} =1.0V
		4.5		30			
	Output large sink current	3.0		58		mA	
		4.5		75			
	Output constant sink current	3.0		20		mA	
		4.5		21			
I _{PWM}	PWM output current (Normal)	3.0		60		mA	Load=8 ohms
		4.5		100			
	PWM output current (Large)	3.0		70		mA	
		4.5		117			
ΔF/F	Frequency deviation by voltage drop	3.0		0.2		%	$\frac{F_{osc}(3.0v)-F_{osc}(2.4v)}{F_{osc}(3v)}$
		4.5		-0.5			$\frac{F_{osc}(4.5v)-F_{osc}(3.0v)}{F_{osc}(4.5v)}$
	Frequency lot deviation	--	-1.5		1.5	%	$\frac{F_{max}(VDD)-F_{min}(VDD)}{F_{max}(VDD)}$
Fosc	Oscillation Frequency	--	1.31	1.54	1.60	MHz	VDD=1.6~5.5V

Voltage vs Freq. Deviation (6.0KHz@3V)


8. TIMING DIAGRAM

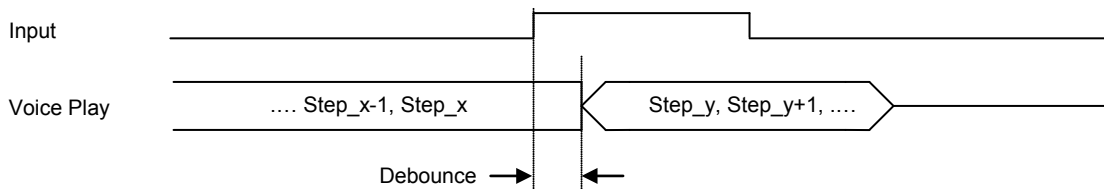
(1) Debounce Time

(a). Trigger while no playing voice



※ Debounce time is configured by 6 kHz S.R and the value is fixed. That is, Long debounce = 20ms, Short debounce = 50us

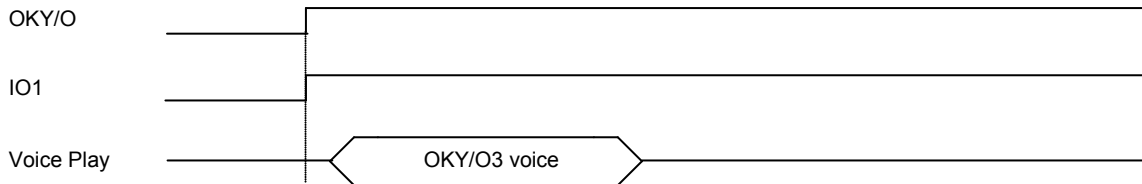
(b). Trigger While playing voice



※ Debounce Time is configured by the S.R. of Step_x. At S.R. = 6kHz, Long debounce = 20ms, Short debounce = 50us

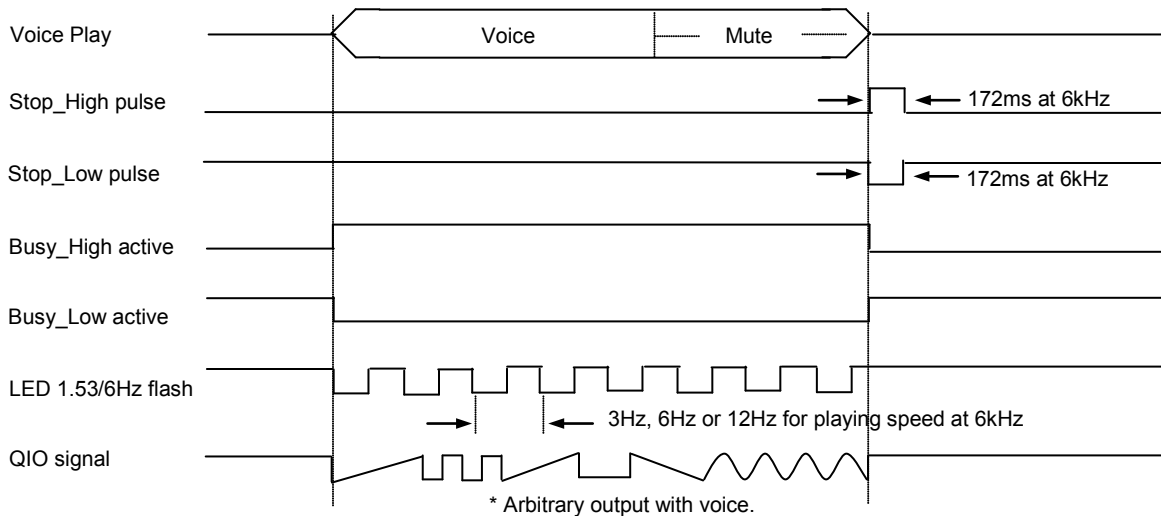
For example, if Step_x S.R. = 8kHz, Long debounce = 20ms*(6k/8k) = 15ms, Short debounce = 50us*(6k/8k) = 37.5us

(2) Input Priority



※ Priority: OKY/O3 > IO1 > IO2

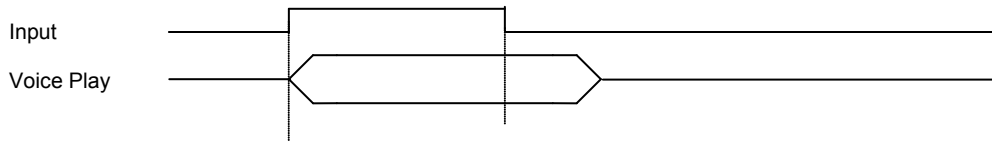
(3) Output Signal (IO1, IO2)



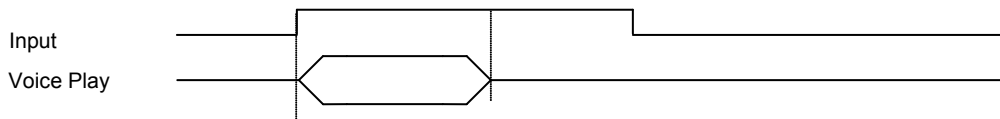
LED dynamic 1/2: When the voice amplitude is higher than 1/2 level, LED will be ON, i.e. output signal is low.

(4) Basic Operation

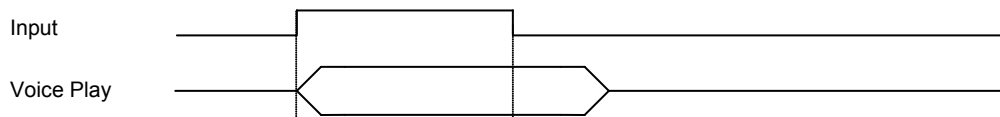
(a). Edge mode, Edge trigger



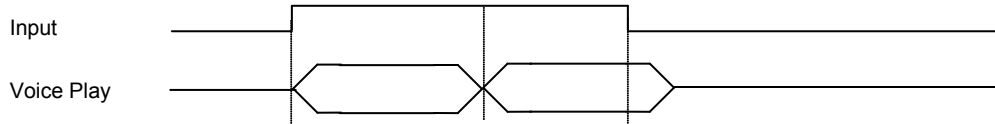
(b). Edge mode, Level trigger



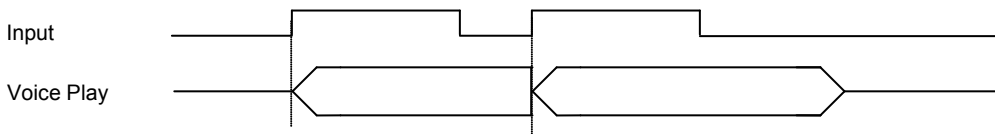
(c). Level mode, Edge trigger



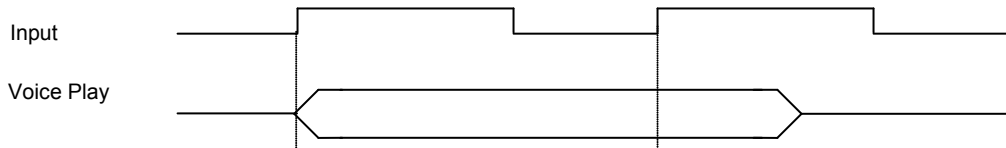
(d). Level mode, Level trigger



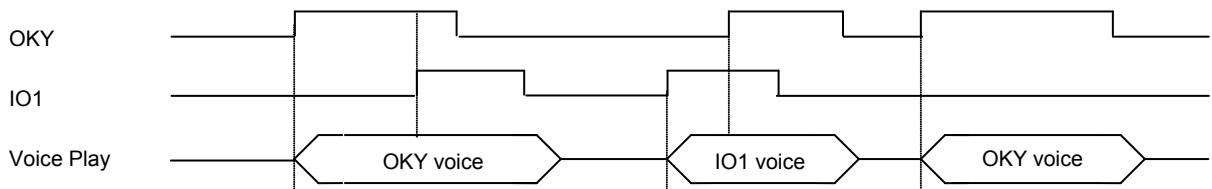
(e). Retrigger mode



(f). Irretrigger mode



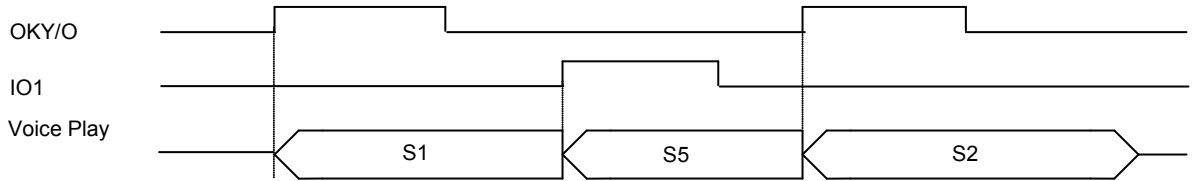
(g). Retrigger mode, first key priority



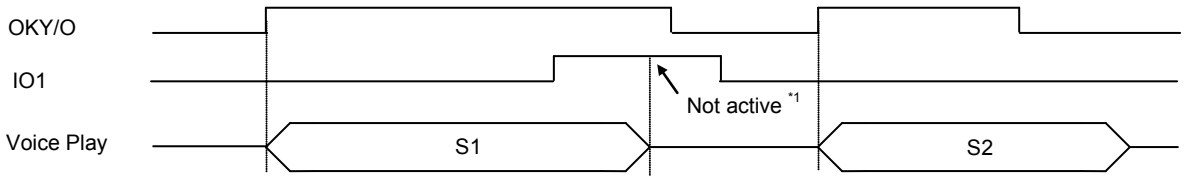
(5) Advanced Operation

(a). Different Input Reload (OKY is in Sequential mode)

(a-1) OKY (E/U/R) = S1 S2 S3 S4, IO1(E/U/R) = S5 (S1 means Sentence 1)

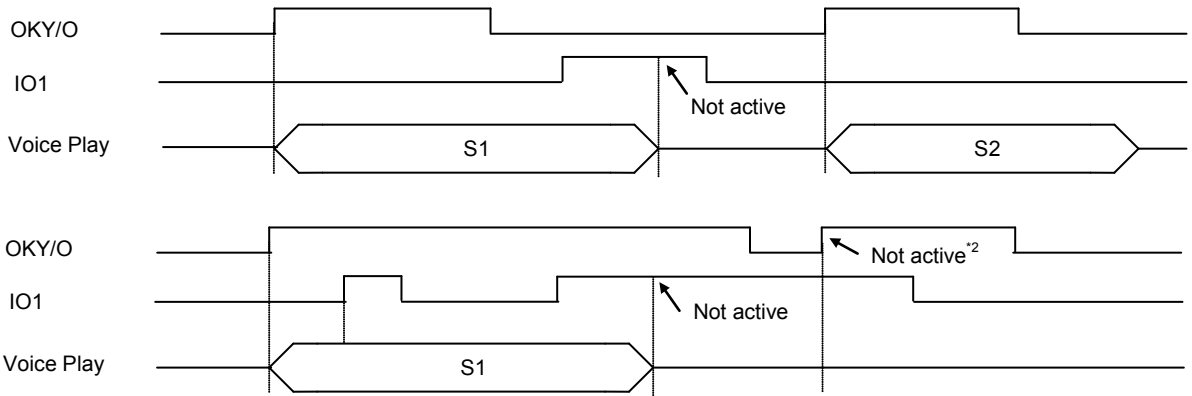


(a-2) OKY (E/U/R) = S1 S2 S3 S4, IO1 (L/x/x) = S5



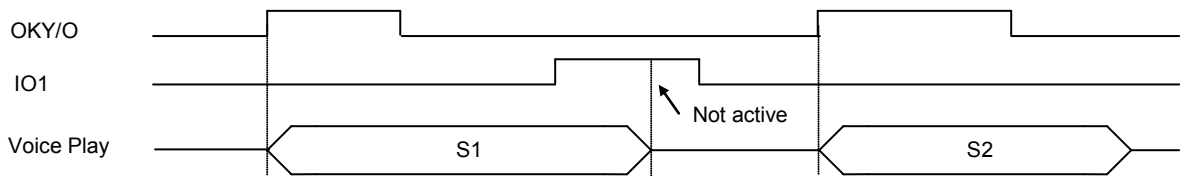
*1: If you press IO1 during OKY/O3 voice playing, at the moment of S1 end, the trigger mode follows

(a-3) OKY (E/U/I) = S1 S2 S3 S4, IO1 (E/x/x) = S5

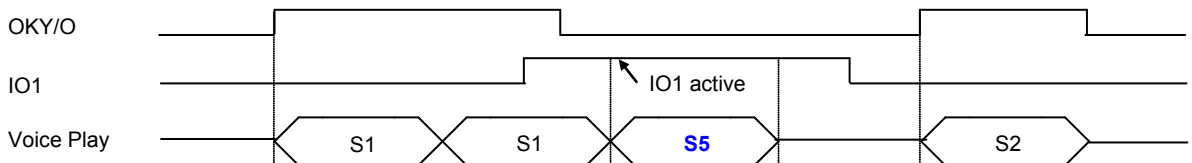


*2: Because IO1 signal is still high, in the same time IC can't accept the OKY/O3 Edge signal.

(a-4) OKY (E/U/I) = S1 S2 S3 S4, IO1 (L/x/x) = S5



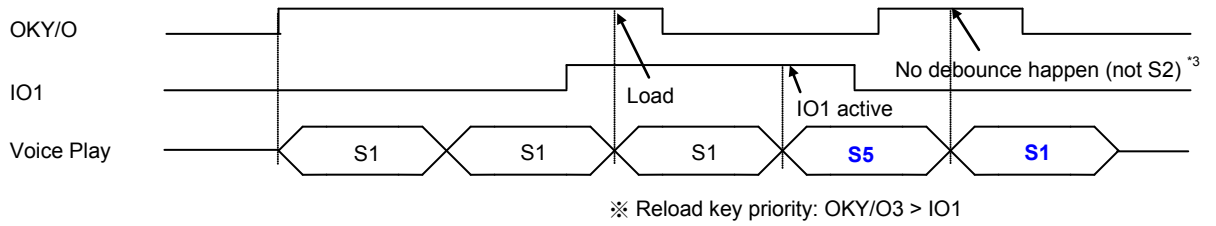
(a-5) OKY (L/U/x) = S1 S2 S3 S4, IO1 (E/x/x) = S5



※ In the time of Sentence end: When S1 end, the trigger mode follows OKY/O3 (L/U/x). When S5 end, it follows IO1 (E/x/x).

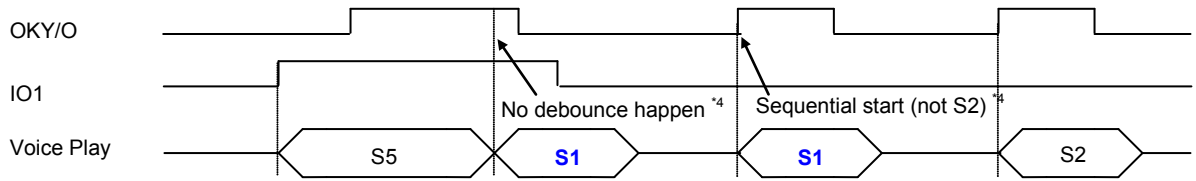
※ Once S5 is played (just leave S1 ending), the trigger mode follows IO1 (E/x/x) immediately.

(a-6) OKY (L/U/x) = S1 S2 S3 S4, IO1 (L/U/I) = S5



*3: In OKY/O3 mode, Sequential number is counted only if there is debounce happened.

(a-7) OKY (L/U/x) = S1 S2 S3 S4, IO1 (L/U/x) = S5

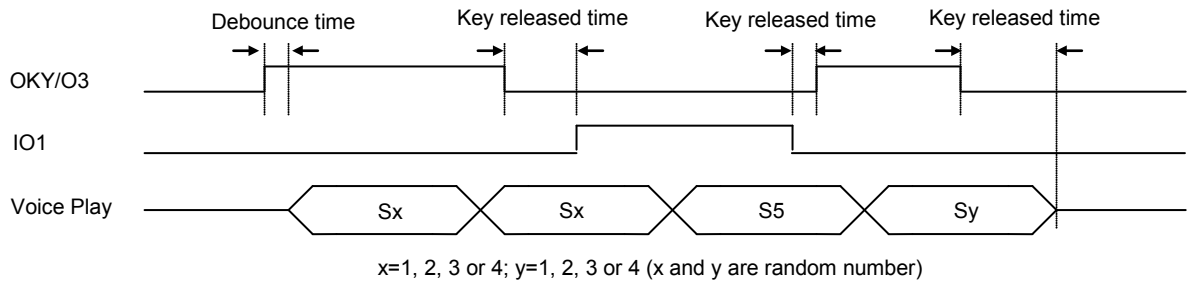


*4: In OKY/O3 mode, 1st trigger without debounce and Sequential number is still "1". 2nd trigger with debounce, after trigger the Sequential number become "2".

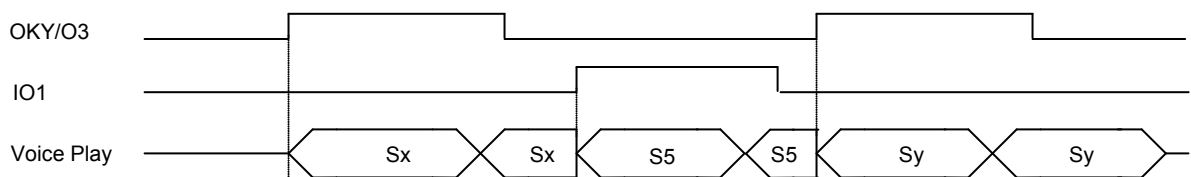
(b). Random Function

(b-1) OKY (L/U/I) = S1 S2 S3 S4, IO1 (L/U/I) = S5

Random (or Sequential) number is counted during "debounce time" or "key released time". But the first-time trigger only relies on "debounce time" due to no "key release time".

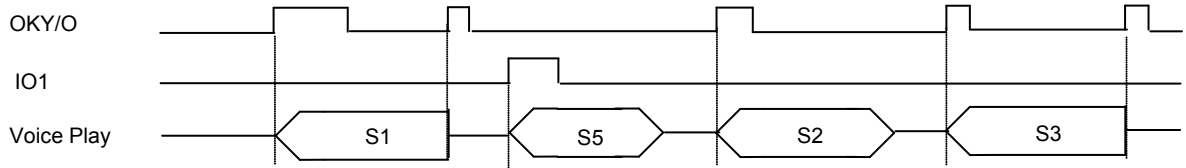


(b-2) OKY (L/U/R) = S1 S2 S3 S4, IO1 (L/U/R) = S16

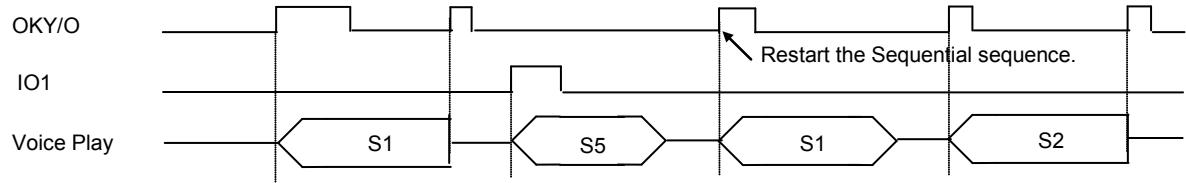


(c). Toggle On/Off Function

(c-1) OKY (E/U/R) = S1 S2 S3 S4, IO1 (E/U/R) = S5 (OKY is Sequential mode **without Reset**)



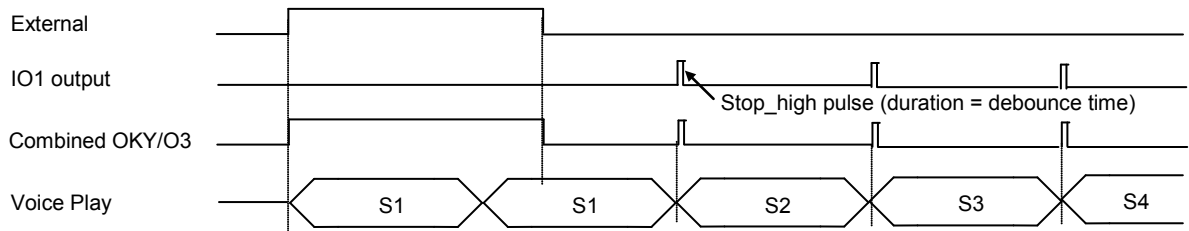
(c-2) OKY (E/U/R) = S1 S2 S3 S4, IO1 (E/U/R) = S16 (OKY is Sequential mode **with Reset**)



※ When OKY Sequential counter is going, to trigger other inputs will reset OKY Sequential sequence.

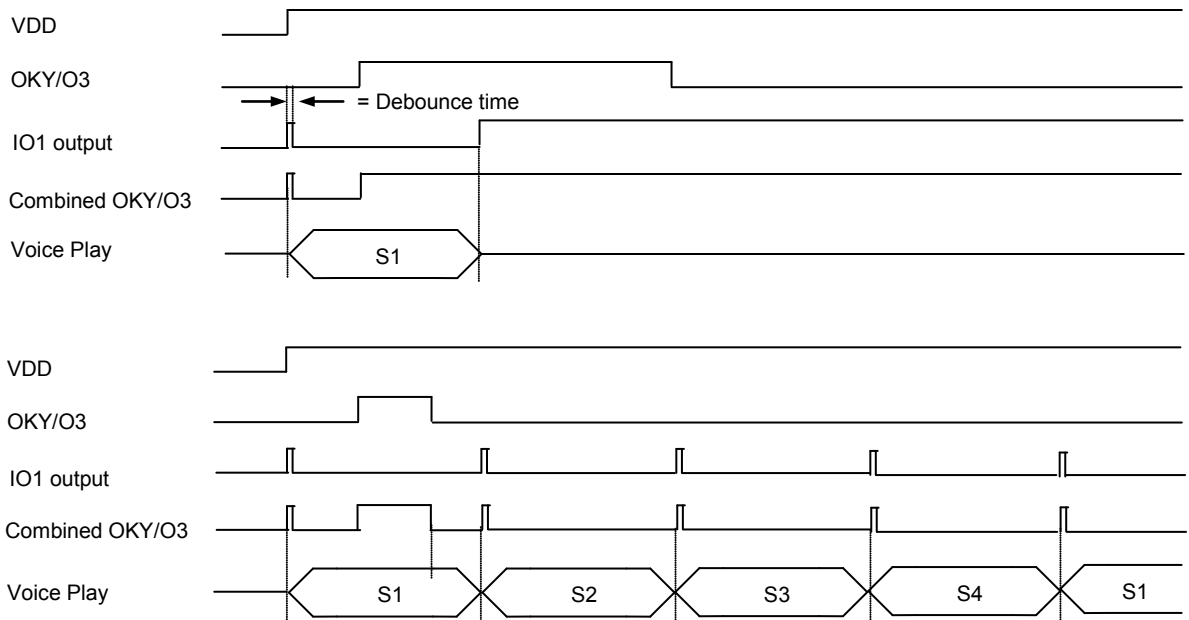
(d). External Feedback Function (IO1 is output and connected to OKY input)

(d-1) OKY (L/U/I) = S1 S2 S3 S4, IO1=Stop_high pulse (When voice ends, IO1 shows a high pulse.)



※ Originally the duration of Stop_high pulse is 172ms at 6kHz, but the high signal will trigger voice and turn low after debounce.

(d-2) OKY (E/U/I) = S1 S2 S3 S4, IO1= Busy_low (When not playing voice, IO1 is high.)



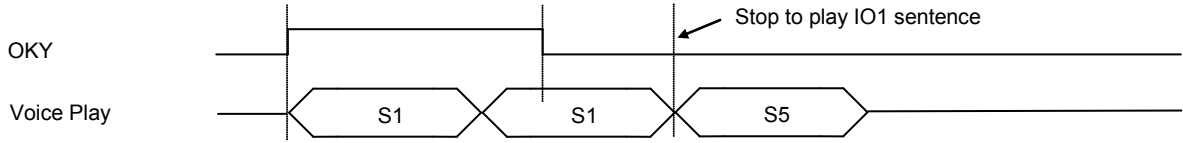
※ When power on, IO1 will generate a high pulse at Busy_low status and the duration is equal to debounce time.

(e). Internal-Feedback Function (OKY is fixed as input)

Each sentence can assign an Internal-Feedback Path to play a fixed sentence after IO's sentence stop.

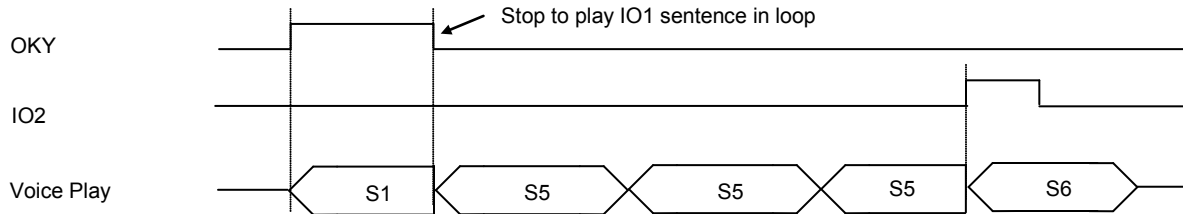
(e-1) OKY (L/U/I) = S1 S2 S3 S4, IO1= S5, Internal-Feedback Path = OKY/O3 → IO1

If S1 is optioned with Internal-Feedback Path,



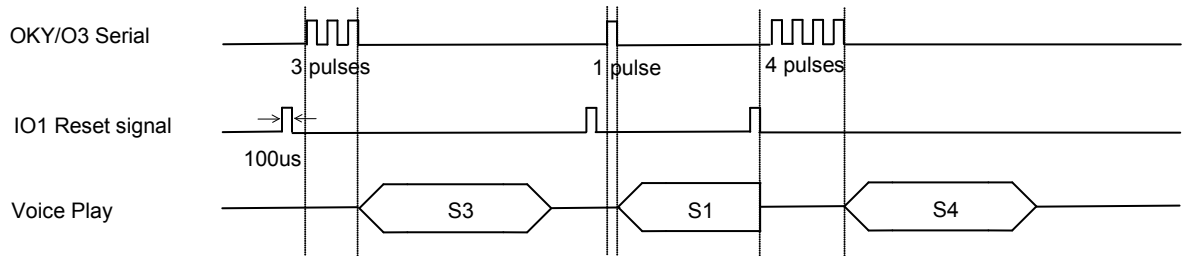
(e-2) OKY (L/H/I) = S1 S2 S3 S4, IO1 (x/x/R) = S5, IO2 (E/U/I) = S6, Internal-Feedback Path = OKY/O3 → IO1

If both S1 and S5 are optioned with Internal-Feedback Path,



(f). Serial-Trigger Function (All inputs must be set as short debounce)

OKY (E/U/R) =S1 S2 S3 S4, IO1 (E/U/R) =S5 (OKY Reset is enabled, and S5 is a short mute Sentence)

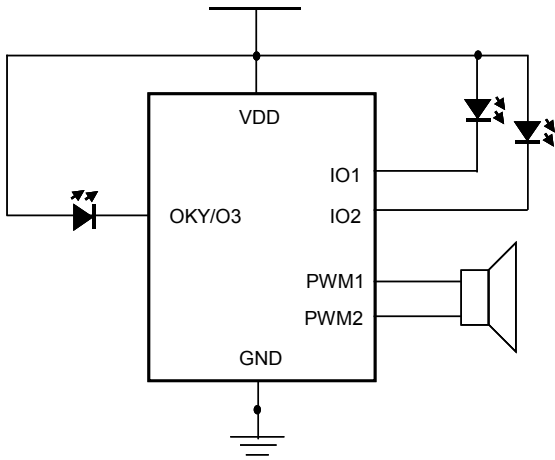


※ The pulse width must be longer than 50us (i.e. short debounce time), and users can set the typical pulse width as 100us.

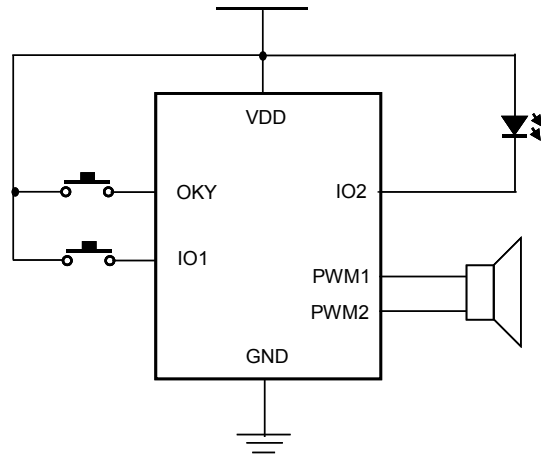
※ The above is the simplest 2-wire control by external MCU. If necessary, user can use 3-wire control with Busy_High output signal to do feedback.

9. APPLICATION

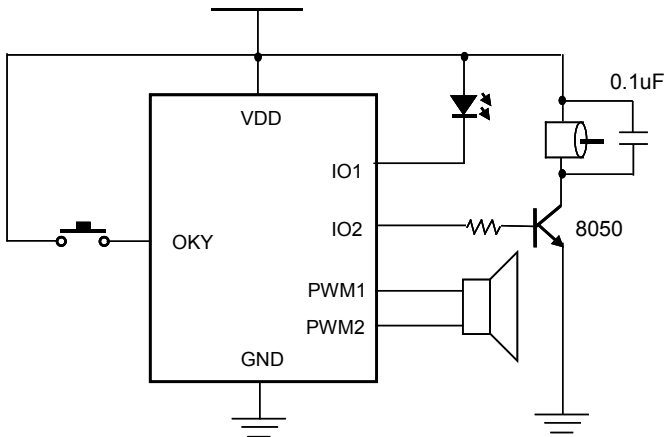
(1) POP trigger with 3 LEDs (Sink)



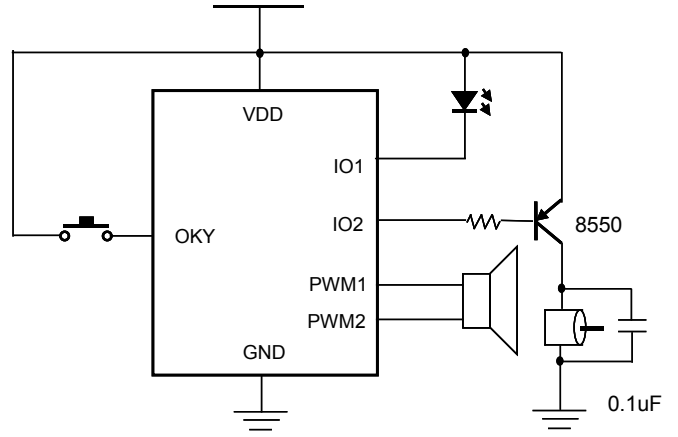
(2) 2 triggers with 1 LED (Sink)



(3) 1 trigger with 1 LED (Sink) and 1 motor (Drive)

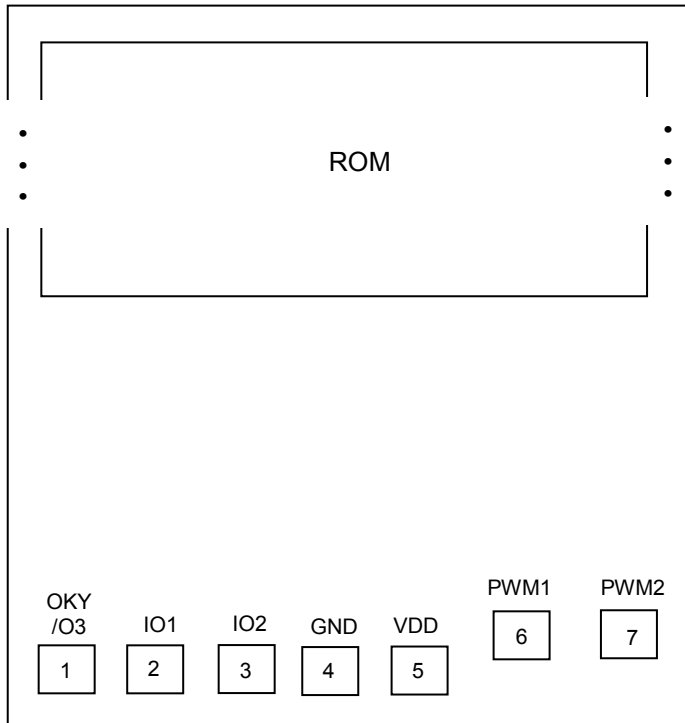


(4) 1 trigger with 1 LED (Sink) and 1 motor (Sink)



*** Please contact Nyquest or her agents if users want to add any power capacitor between VDD and GND.**

10. DIE PAD DIAGRAM



* The IC substrate must be connected to GND or Floating.