



九齊科技股份有限公司
Nyquest Technology Co., Ltd.

DATA SHEET

NY9A008A

Power PWM Audio Amplifier

Version 1.0

Aug. 5, 2014

NYQUEST TECHNOLOGY CO. reserves the right to change this document without prior notice. Information provided by NYQUEST is believed to be accurate and reliable. However, NYQUEST makes no warranty for any errors which may appear in this document. Contact NYQUEST to obtain the latest version of device specifications before placing your orders. No responsibility is assumed by NYQUEST for any infringement of patent or other rights of third parties which may result from its use. In addition, NYQUEST products are not authorized for use as critical components in life support devices/systems or aviation devices/systems, where a malfunction or failure of the product may reasonably be expected to result in significant injury to the user, without the express written approval of NYQUEST.

Revision History

<i>Version</i>	<i>Date</i>	<i>Description</i>	<i>Modified Page</i>
1.0	2014/08/05	New release.	-

1. 概述

NY9A008A 為單晶片CMOS的 PWM 音頻功率放大器IC，利用大型積體電路(LSI)製造技術，具有低電源及低成本的特性，在使用時只需要很少的週邊元件，並可應用於高電壓工作模式。電路內置大功率 MOSFET 的 Power PWM 驅動線路，可用來實現對 PWM 音頻的放大。

2. 功能

(1). 寬廣的工作電壓：1.8V ~ 9.0V。

(2). 內置大功率 PMOS/NMOS 的 Power PWM 驅動器。

※ 注意: 由於Power PWM 的輸出功率很大，0.25W喇叭會被燒毀，請搭配0.5W以上的喇叭。

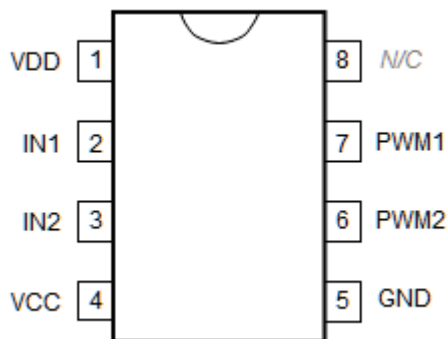
(3). 低待機電流 (Typ.=0.1uA)。

(4). 800mA 以上電流輸出能力。

(5). CMOS 輸入，輸入腳內建下拉電阻，無需外加限流電阻。

(6). 高達 5KV 的人體靜電模式 (HBM) 的 ESD 保護。

(7). 僅提供 SOP-8 封裝出貨。



1. GENERAL DESCRIPTION

NY9A008A is a single-chip Audio Amplifier PWM driver CMOS IC. It is designed by LSI high technology with a low-power and low-cost process, and can be applied at high voltage application. It has built-in Power PWM driver with large power MOSFET circuit to amplify PWM audio signal.

2. FEATURES

(1). Wide operating voltage: 1.8V ~ 9.0V.

(2). Built-in Power PWM driver of large power PMOS/NMOS circuit.

※ Note: Due to large power of Power PWM output, 0.25W speaker will be damaged and 0.5W or above speaker is suggested.

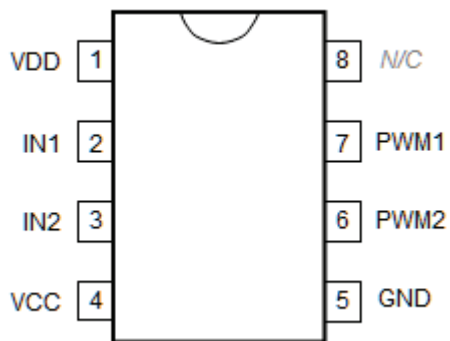
(3). Low standby current. (Typ.=0.1uA)

(4). Over 800mA output current capability.

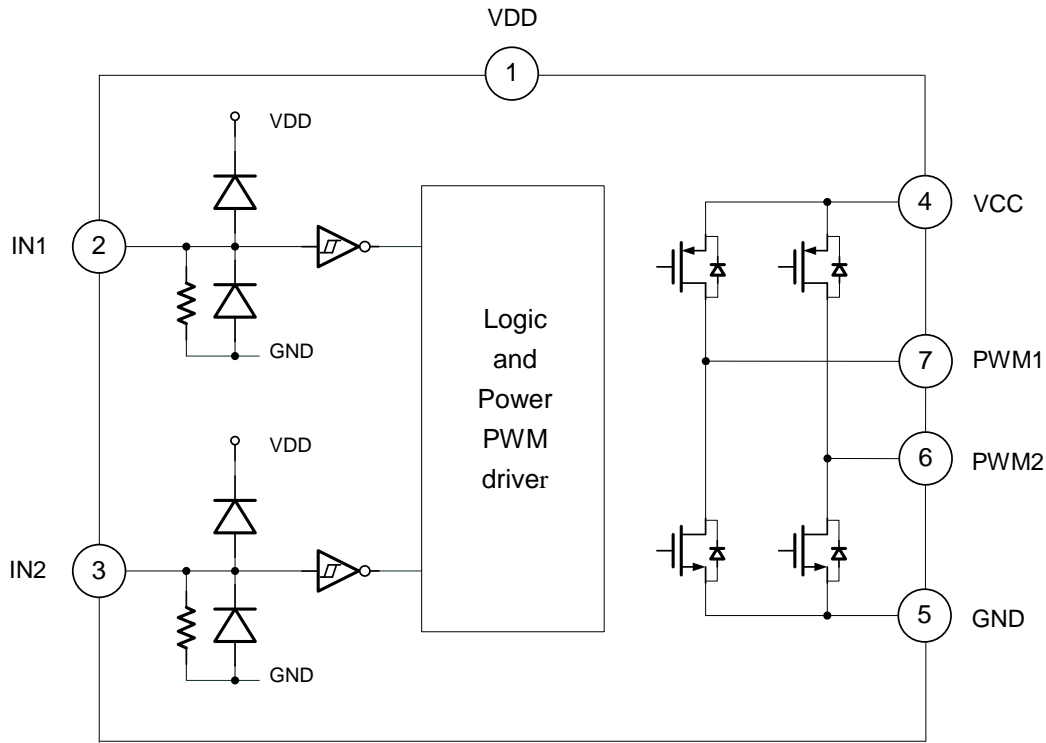
(5). CMOS input. Built-in input pull-low resistance and no current-limit resistance required.

(6). High 5KV Human Body Mode (HBM) ESD protection.

(7). Only SOP-8 package type is available.



3. BLOCK DIAGRAM



4. PIN DESCRIPTION

Pin Name	Pin No.	ATTR.	Description
IN1	2	I	PWM signal input 1.
IN2	3	I	PWM signal input 2.
PWM1	7	O	Power PWM output 1.
PWM2	6	O	Power PWM output 2.
VDD	1	Power	Positive power of logic control circuit.
VCC	4	Power	Positive power of Power PWM.
GND	5	Power	Negative power.
NC	8	NC	No connect.

5. ELECTRICAL CHARACTERISTICS

5.1 Absolute Maximum Rating

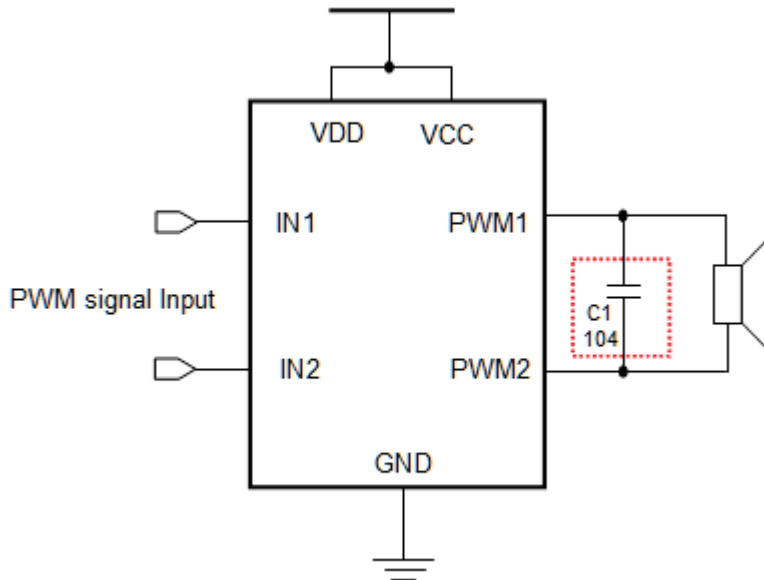
Symbol	Parameter		Rating	Unit
$V_{DD} - V_{SS}$	Supply voltage of logic control circuit		-0.5 ~ +7.5	V
V_{CC}	Supply voltage of Power PWM		9.6	V
$I_{OUT-PEAK}$	Output peak current		1.0	A
θ_{JA}	Thermal resistance (Junction to Ambient)	SOP-8	150	°C/W
P_D	Power dissipation	SOP-8	0.9	W
T_A	Operating ambient temperature		-40 ~ +85	°C
T_J	Operating junction temperature		+160	°C
T_{ST}	Storage temperature		-55 ~ +160	°C

5.2 DC Characteristics ($V_{DD}=3.0V$, $V_{CC}=6.0V$, $T_A=25^\circ C$, unless otherwise specified)

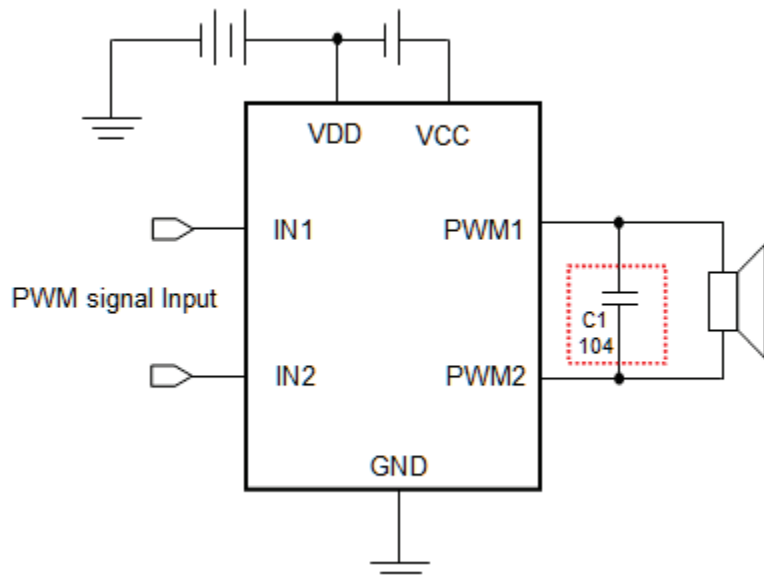
Symbol	Parameter		Min.	Typ.	Max.	Unit	Condition
V_{DD}	Operating voltage (Logic)		1.8		6.8	V	
V_{CC}	Operating voltage (PWM)		1.8		9.0	V	
I_{SB}	Standby current			0.1	1	μA	IN1=IN2=0
I_{OP}	Operating current	$V_{DD} = V_{CC} = 3.0V$		25		μA	PWM=20kHz, Duty=50%
		$V_{DD} = V_{CC} = 6.0V$		35		μA	
I_{IH}	Input high current (12kΩ pull-low resistance)			260		μA	$V_{IH} = 3.0V$
				510		μA	$V_{IH} = 6.0V$
V_{IH}	Input high voltage		$0.7V_{DD}$			V	
V_{IL}	Input low voltage				$0.3V_{DD}$	V	
I_{OUT}	Output continuous current			800	850	mA	SOP-8
T_{RISE}	Output rise time			46		ns	PWM=20kHz, Duty=50%
T_{FALL}	Output fall time			35		ns	
T_{RP}	Input-to-Output response time			65		ns	

6. APPLICATION CIRCUIT

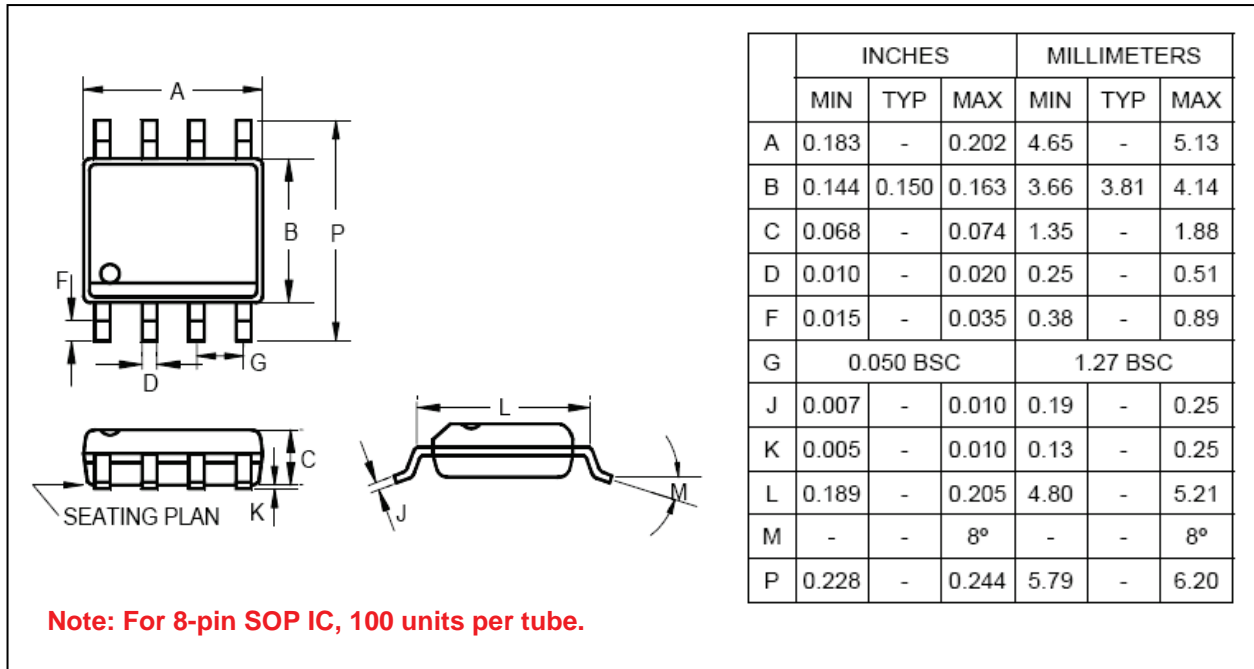
(1) Single Power



(2) Dual Power



** If voltage is higher than 6.0V, C1 (0.1uF) is necessary for endure high voltage.*

7. PACKAGE DIMENSION

8. ORDERING INFORMATION

<i>P/N</i>	<i>Package Type</i>	<i>Package Width</i>	<i>Shipping</i>
NY9A008AS8	SOP-8	150 mil.	<u>Tape & Reel: 2.5K pcs per Reel</u> <u>Tube: 100 pcs per Tube</u>